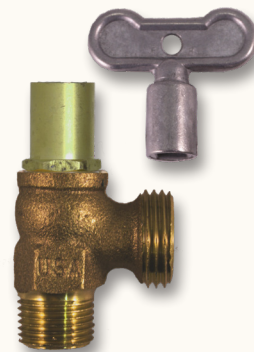
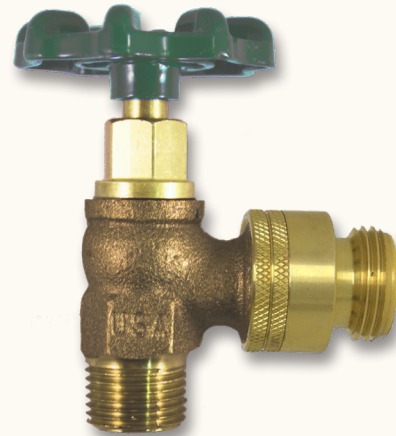


Lead-Free Boiler Drains 221LF - 223LF Series



Lead-Free Boiler Drains

Features & Benefits

- Heavy-duty lead-free brass construction. NSF/ANSI 372 certified Lead Free by IAPMO.
 - Inlet connections: 1/2" or 3/4" male iron pipe thread. Also available in 1/2" MIP thread with inverted nose, and 1/2" copper compression
 - Utilizes Arrowhead's exclusive no-leak one-piece bonnet with EPDM O-ring seal
 - Maximum pressure: 125 PSI
 - Max temperature: 140° F
 - Flow rate: 8-9 GPM at 50PSI
 - 3-year limited warranty.
- Available in:
 - 1/2" MIP Inlet x 3/4" MHT Outlet **(221LF)**
 - 3/4" MIP Inlet x 3/4" MHT Outlet **(223LF)**
 - 1/2" MIP Inlet x 3/4" MHT Outlet - inverted nose **(225LF)**
 - 1/2" copper compression Inlet x 3/4" MHT Outlet **(221CCRBLF)**



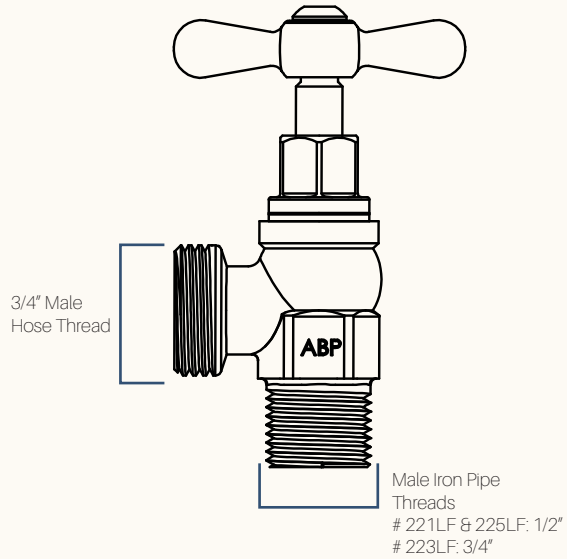


Lead-Free Boiler Drains
221LF - 223LF Series

Materials & Dimensions

Component	Material
Valve Body	Lead Free Brass*
Stem	Lead Free Brass*
Bonnet	Lead Free Brass*
O-ring	EPDM
Seat Washer	SBR
Seat Screw	Stainless Steel
Bonnet Washer	Nylon
Handle	Aluminum
Handle Screw	Stainless Steel

* Lead Free is defined as less than 0.25% lead content, certified by IAPMO to NSF/ANSI 372



Male Iron Pipe
Threads
221LF & 225LF: 1/2"
223LF: 3/4"

Repair & Replacement Parts

Replacement Green
Wheel Handle



PK1250

Replacement green wheel handle & stainless steel self-tapping screw

Replacement O-ring
Style Stem Assembly



PK1100

Replacement O-ring style stem assembly for Arrowhead boiler drains & sillcocks

Stem Rebuild Kit



#PK1000

Stem rebuild kit: seat washer, seat washer screw, nylon bonnet washer, & handle screw

Replacement Fine-
Thread Vacuum Breaker



PK1360

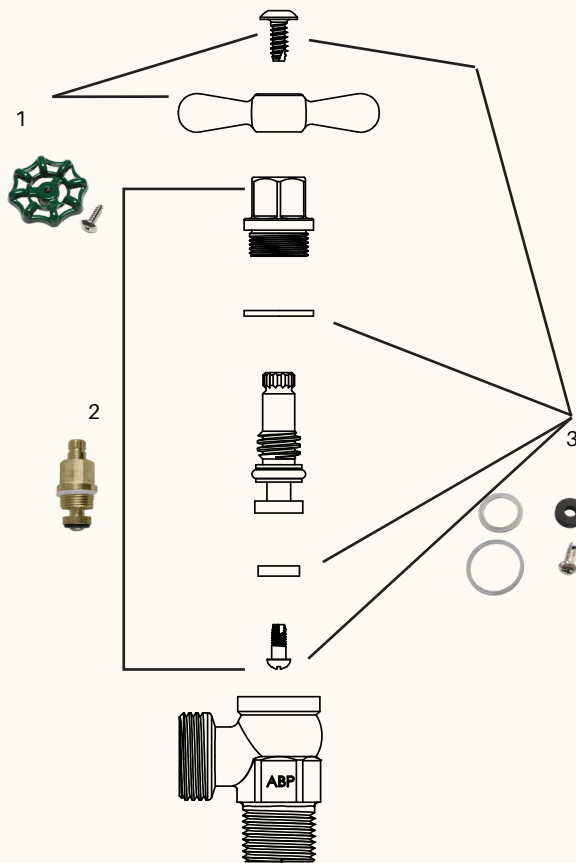
Replacement fine-thread vacuum breaker - brass finish

Replacement Loose-
Key Lock-Shield



#PK1000

Replacement loose-key lock-shield for Arrowhead boiler drains & sillcocks



WARNING: This product can expose you to chemicals including lead, which is known to the State of California to cause, cancer and reproductive harm. For more information, go to www.P65Warnings.ca.gov