



## Extra-Large Flange Sillcocks 255XLF - 355XLF Series



The Arrowhead Brass 255XLF and 355XLF series Extra-Large Flange Sillcocks are made of heavy-duty lead-free brass and feature an oversized 3-1/4" wide flange providing extra coverage for installations with larger holes where the tube extends from the wall, or those requiring wider spread wall mounting locations where previous screw-mounts have deteriorated. The 255XLF and 355XLF feature our exclusive one-piece O-ring bonnet stem design for easy operation and years of service with fewer parts to maintain, repair or replace.

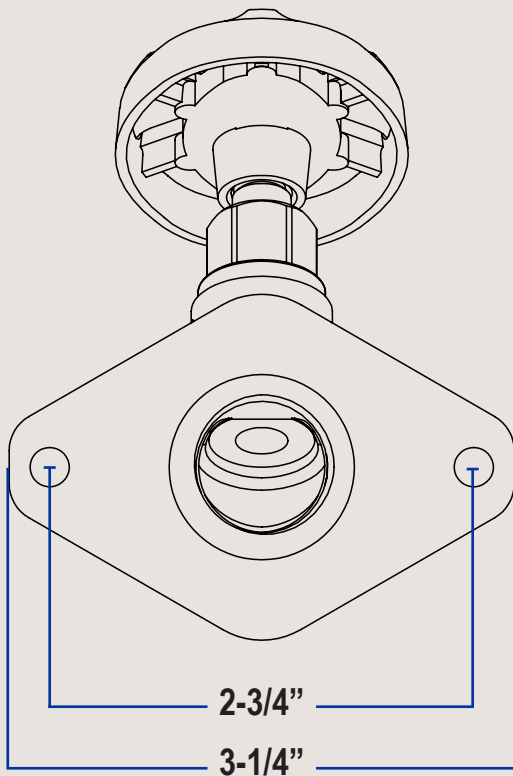
### Models

255XLF

1/2" Female Iron Pipe Thread x 3/4"  
Male Hose Thread- XL Flange

355XLF

3/4" Female Iron Pipe Thread x 3/4"  
Male Hose Thread- XL Flange



### Features and Specifications

- Heavy duty lead-free brass construction.
- Utilizes Arrowhead's exclusive no-leak one-piece bonnet with EPDM O-ring seal.
- **Oversized integrated 3-1/4" brass flange designed for extra wall coverage; 1" wider than Arrowhead Brass sillcocks and the widest flange available!**
- **2-3/4" wide enclosed screw holes to securely fasten to the mounting wall, perfect for applications where previous screw-holes have deteriorated.**
- Maximum pressure: 125 PSI.
- Max temperature: 140° F.
- Flow rate: 9 GPM at 50 PSI.
- 3-year limited warranty.



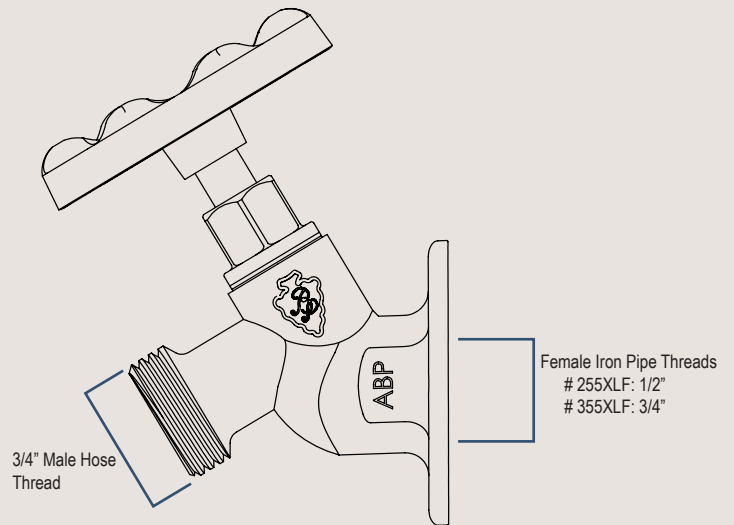


# Extra-Large Flange Sillcocks 255XLF - 355XLF Series

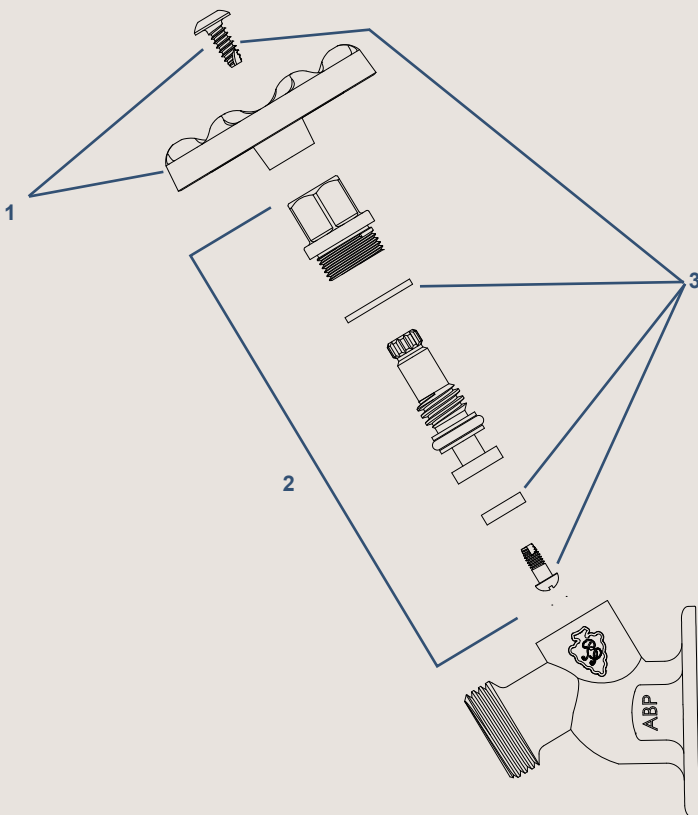
## Materials & Dimensions

Component	Material
Valve Body	Lead-Free Brass
Stem	Lead-Free Brass
Bonnet	Lead-Free Brass
O-ring	EPDM
Seat Washer	SBR
Seat Screw	Stainless Steel
Bonnet Washer	Nylon
Handle	Aluminum
Handle Screw	Stainless Steel

\* Lead-Free refers to the wetted surface area containing a weighted average lead content less than 0.25% per NSF/ANSI 372.



## Part Kits



ID	Part #	Description
1	PK1270	Replacement Green Tee-Handle & Stainless Steel Self-Tapping Screw
2	PK1100	Replacement O-ring Style Stem Assembly for Arrowhead Hose Bibs & Sillcocks
3	PK1000	Stem Rebuild Kit: Seat washer, seat washer screw, nylon bonnet washer & handle screw
Additional Parts (not shown)		
	PK1360	Replacement Fine-Thread Vacuum Breaker (Brass Finish)
	58ABP	Add-On Hose Vacuum Breaker with Set Screw
	PK1150	Replacement Loose-Key Lock-Shield for Arrowhead Hose Bibs & Sillcocks
	PK1250	Replacement Green Wheel & Stainless Steel Self-Tapping Screw