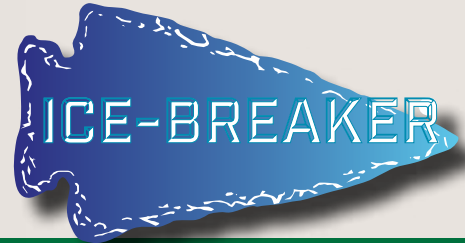
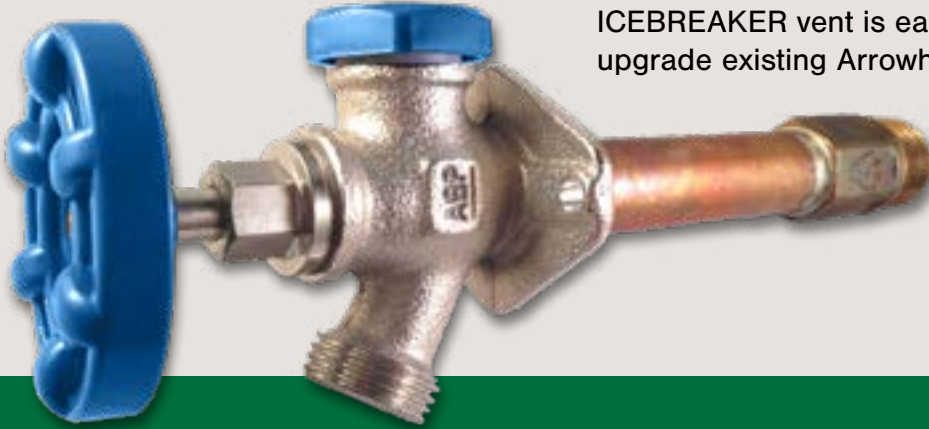




# ICEBREAKER Frost-Proof Wall Hydrants

ICEBREAKER freeze-proof wall hydrants by Arrowhead Brass utilize our innovative ICEBREAKER vent that prevents the wall hydrant from rupturing in freezing conditions, even if a hose is unintentionally left connected. If freezing occurs, the ICEBREAKER vent will burst to protect the wall hydrant from damage. The ICEBREAKER vent is easily replaceable and can even be used to upgrade existing Arrowhead Brass wall hydrants.



## Features and Specifications

- Heavy duty lead-free brass and copper construction. NSF/ANSI 372 certified Lead-Free by IAPMO.
- Utilizes Arrowhead's exclusive no-leak one-piece bonnet with EPDM O-ring seal.
- Nickel plated, solid brass body and wall flange with built-in offset to allow water drainage upon shut-off.
- Maximum pressure: 125 PSI. Max temperature: 140° F
- Flow rate: 14 GPM at 50 PSI.
- Guaranteed not to burst and backed by a 5-year limited warranty.
- Rubber-coated blue oval handle.
- Protects your home from burst pipes and severe water damage.
- The ICEBREAKER vent is easily replaceable with part kit # PK-ICE, and can be used to upgrade existing Arrowhead Brass brand wall-hydrants with our UPGRADE Kit # UK-ICE.

Models

<b>601-**LF</b>	3/4" Cold Expansion PEX (ASTM F1960)	
<b>602-**LF</b>	1/2" Cold Expansion PEX (ASTM F1960)	
<b>605-**LF</b>	1/2" Female Pipe Thread ID. 3/4" Male Pipe Thread OD.	
<b>606-**LF</b>	1/2" Copper Sweat ID. 1/2" Male Pipe Thread OD.	
<b>607-**LF</b>	3/4" Crimp PEX (ASTM F1807)	
<b>608-**LF</b>	3/4" Copper Sweat ID. 3/4" Male Pipe Thread OD.	
<b>609-**LF</b>	1/2" Crimp PEX (ASTM F1807)	

**\*\* = Hydrant length:**

- 02 - 2" insertion depth
- 04 - 4" insertion depth
- 06 - 6" insertion depth
- 08 - 8" insertion depth
- 10 - 10" insertion depth
- 12 - 12" insertion depth
- 14 - 14" insertion depth

Longer lengths available by special order

**Installation and Use Requirements:**

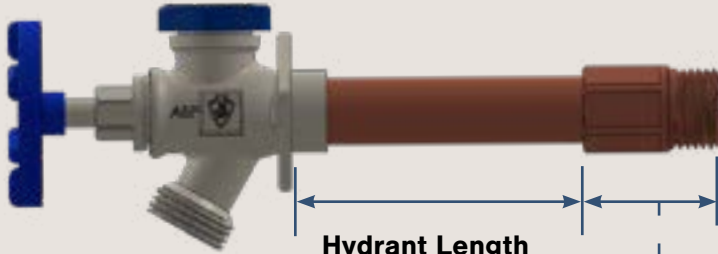
- Proper wall hydrant length must be used to ensure the inlet connection is located in a heated area of the building.
- All gaps between the building and the wall hydrant must be sealed to prevent air leaks.
- The wall hydrant must be installed with a downward angle toward the hose outlet.
- The wall must have adequate insulation around the wall hydrant and wall board.
- The wall hydrant must be turned off during cold weather.





# ICEBREAKER Frost-Proof Wall Hydrants

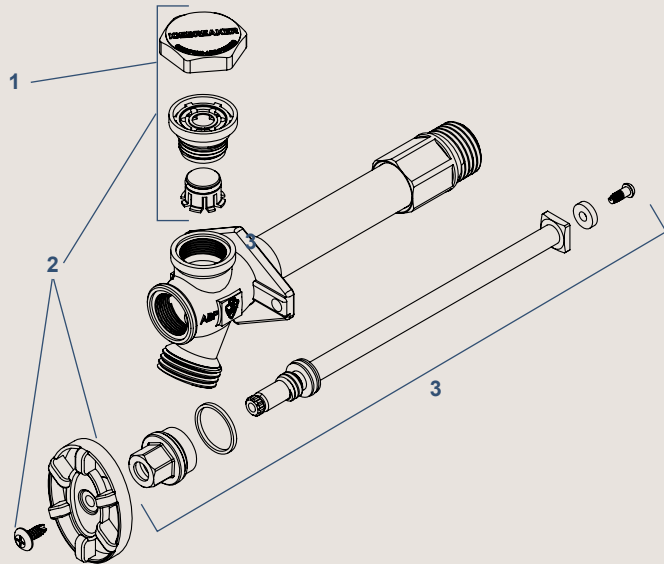
## Dimensions



**Hydrant Length**  
 -02 Hydrants: 1-1/4" +  
 -04 Hydrants: 4" +  
 -06 Hydrants: 6" +  
 -08 Hydrants: 8" +  
 -10 Hydrants: 10" +  
 -12 Hydrants: 12" +  
 -14 Hydrants: 14" +

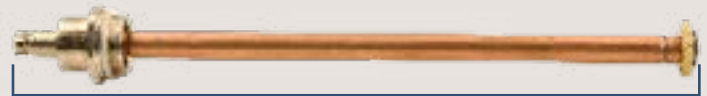
Inlet #	Connection Type	Add. Length
1	3/4" Cold Expansion PEX (ASTM F1960)	2"
2	1/2" Cold Expansion PEX (ASTM F1960)	1-3/4"
5	1/2" Female Pipe Thread ID. 3/4" Male Pipe Thread OD.	1-5/8"
6	1/2" Copper Sweat ID. 1/2" Male Pipe Thread OD.	1-1/2"
7	3/4" Crimp PEX (ASTM F1807)	1-5/8"
8	3/4" Copper Sweat ID. 3/4" Male Pipe Thread OD.	1-5/8"
9	1/2" Crimp PEX (ASTM F1807)	1-5/8"

## Part Kits



ID	Part #	Description
1	PK-ICE	Replacement ICEBREAKER Vent Assembly
2	UK-ICE	ICEBREAKER UPGRADE KIT - Vent Assembly with Blue Handle and Screw
3	(See below)	Replacement Stem Assembly

## Replacement Stem Assemblies



Total Stem Length (Overall)

Part #	Description	Length
PK8002	Stem assembly for 2" 460 series hydrant	6" total
PK8004	Stem assembly for 4" 460 series hydrant	8" total
PK8006	Stem assembly for 6" 460 series hydrant	10" total
PK8008	Stem assembly for 8" 460 series hydrant	12" total
PK8010	Stem assembly for 10" 460 series hydrant	14" total
PK8012	Stem assembly for 12" 460 series hydrant	16" total
PK8014	Stem assembly for 14" 460 series hydrant	18" total

### 5-Year Limited Warranty

All ICEBREAKER Wall Hydrants are sold with a limited warranty for five (5) years against defects in material and workmanship. We will replace or issue credit for defective goods (our choice) that are returned for inspection and found to be defective within five years of purchase with accompanying proof of purchase. This limited warranty does not cover defects caused by modification, alteration or repair of the product by anyone other than Arrowhead Brass; physical abuse to, or misuse of the product or operation thereof in a manner contrary to accompanying instructions.