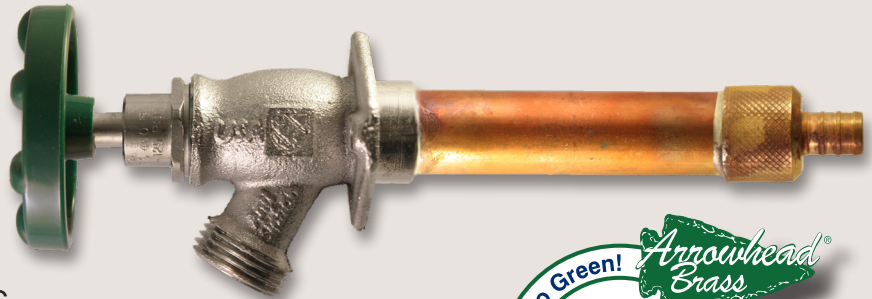




460 Series Lead Free Arrow-Breaker® Frost-Proof Wall Hydrants

Arrow-Breaker® Frost-Proof Wall Hydrants by Arrowhead Brass are made of heavy-duty Lead-Free brass and copper. The Arrow-Breaker® hydrants feature QuickTurn® Easy on-off operation and built-in protection from back-pressure and back-flow siphonage by relieving back-pressure through the stem weep hole. Available in various lengths and inlet connections, Arrowhead Brass Frost-Proof Wall Hydrants are perfect for any installation to provide outdoor watering all year. Arrow-Breaker Frost-Proof Wall Hydrants are UPC listed and certified to ASSE 1019-A and NSF/ANSI 372 Lead-Free by IAPMO.



Models

461-**-QTLF	3/4" Cold Expansion PEX (ASTM F1960)	
462-**-QTLF	1/2" Cold Expansion PEX (ASTM F1960)	
465-**-QTLF	1/2" Female Pipe Thread ID. 3/4" Male Pip Thread OD.	
466-**-QTLF	1/2" Copper Sweat ID. 1/2" Male Pipe Thread OD.	
467-**-QTLF	3/4" Crimp PEX (ASTM F1807)	
468-**-QTLF	3/4" Copper Sweat ID. 3/4" Male Pipe Thread OD.	
469-**-QTLF	1/2" Crimp PEX (ASTM F1807)	

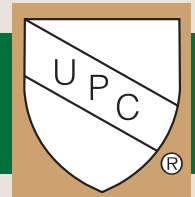
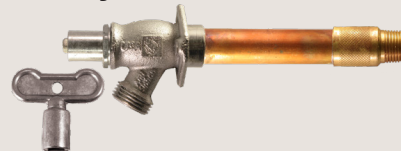
**** = Hydrant length:**
 02 - 2" insertion depth
 04 - 4" insertion depth
 06 - 6" insertion depth
 08 - 8" insertion depth
 10 - 10" insertion depth
 12 - 12" insertion depth
 14 - 14" insertion depth

Longer lengths available by special order

Features and Specifications

- Heavy duty lead free brass and copper construction. IAPMO UPC certified to NSF/ANSI 372, .
- Utilizes Arrowhead's exclusive no-leak one-piece bonnet with EPDM O-ring seal and QuickTurn® easy on-off operation.
- The Arrow-Breaker® built-in anti-siphon technology protects your household water supply from harmful contaminants and eliminates the need for costly external add-on vacuum breaker devices that restrict water flow.
- Nickel plated, solid brass body and wall flange with built-in offset to allow water drainage upon shut-off.
- Maximum pressure: 125 PSI. Max temperature: 140° F
- Flow rate: 14 GPM at 50 PSI.
- 3-year limited warranty.
- Rubber-coated oval handle, or available in loose-key lock-shield (LKLF) models for tamper-proof operation.
- **Per ASSE 1019 plumbing code, this product is not intended to be under constant pressure (turned on) for over 12 hours at a time. Use of Y-Splitters or hose-bib sprinkler timers is not suggested.**

Prevent unwanted water use with Loose Key Models: "LKLF" Suffix





460 Series Lead Free Arrow-Breaker® Frost-Proof Wall Hydrants

Dimensions

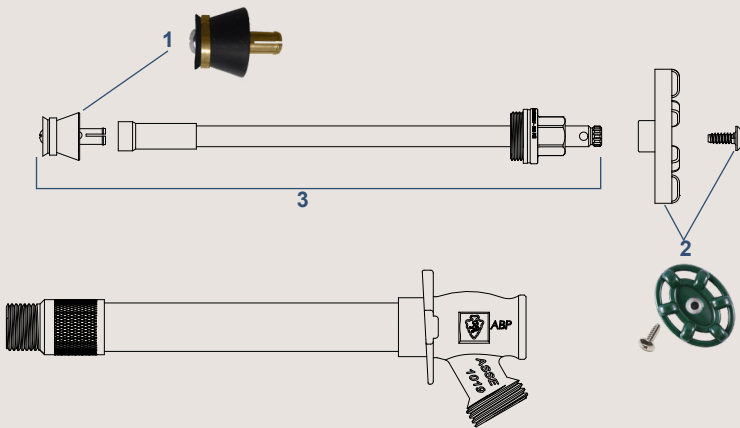


Hydrant Length

- 02 Hydrants: 1-1/4" +
- 04 Hydrants: 4" +
- 06 Hydrants: 6" +
- 08 Hydrants: 8" +
- 10 Hydrants: 10" +
- 12 Hydrants: 12" +
- 14 Hydrants: 14" +

Inlet #	Connection Type	Add. Length
1	3/4" Cold Expansion PEX (ASTM F1960)	2"
2	1/2" Cold Expansion PEX (ASTM F1960)	1-3/4"
5	1/2" Female Pipe Thread ID. 3/4" Male Pipe Thread OD.	1-5/8"
6	1/2" Copper Sweat ID. 1/2" Male Pipe Thread OD.	1-1/2"
7	3/4" Crimp PEX (ASTM F1807)	1-5/8"
8	3/4" Copper Sweat ID. 3/4" Male Pipe Thread OD.	1-5/8"
9	1/2" Crimp PEX (ASTM F1807)	1-5/8"

Part Kits



ID	Part #	Description
1	PK6026	Replacement Arrow-Breaker® Check Assembly
2	PK1295	Rubber-Coated Oval Handle (Die-cast Aluminum) and Stainless Steel Self-Tapping Handle Screw
3	(See below)	Replacement Stem Assembly (includes PK6026 Replacement Check Assembly)

Replacement Stem Assemblies



Total Stem Length (Overall)
with check assembly compressed

Warning: Frost-Proof Wall Hydrants must be installed with a downward tilt toward hose thread outlet AND the hose or other devices must be removed in cold and freezing weather. Failure to properly winterize a frost-proof wall hydrant can result in damage caused by freezing water and is not covered under warranty. Do not leave the hose or faucet pressurized for long periods of time. This can cause unnecessary wear on the check assembly and result in failure and constant leaks when in use.

Technical Note:

It is advise to drain the hose and faucet after each use. Neglecting to open hose nozzles and drain the water from the hose can result in spray-back of water through the weep hole by the handle caused by back-pressure.

Part #	Description	Length
PK6002	Stem assembly for 2" 460 series hydrant	6" total
PK6004	Stem assembly for 4" 460 series hydrant	8" total
PK6006	Stem assembly for 6" 460 series hydrant	10" total
PK6008	Stem assembly for 8" 460 series hydrant	12" total
PK6010	Stem assembly for 10" 460 series hydrant	14" total
PK6012	Stem assembly for 12" 460 series hydrant	16" total
PK6014	Stem assembly for 14" 460 series hydrant	18" total