

# 450LF Series Lead Free Standard Frost-Proof Wall Hydrants



## Lead Free Wall Hydrants

### Features & Benefits

- Heavy-duty lead-free brass and copper construction.
- NSF/ANSI 372 certified Lead Free by IAPMO.
- Utilizes Arrowhead's exclusive no-leak one-piece bonnet with EPDM O-ring seal.
- Nickel-plated, solid brass body and wall flange with built-in offset to allow water drainage upon shut-off.
- Maximum pressure: 125 PSI. Max temperature: 140° F
- Flow rate: 13 GPM at 50 PSI.
- Rubber-coated oval handle, or available in loose-key lock-shield (LKLF) models for tamper-proof operation.
- 3-year limited warranty.



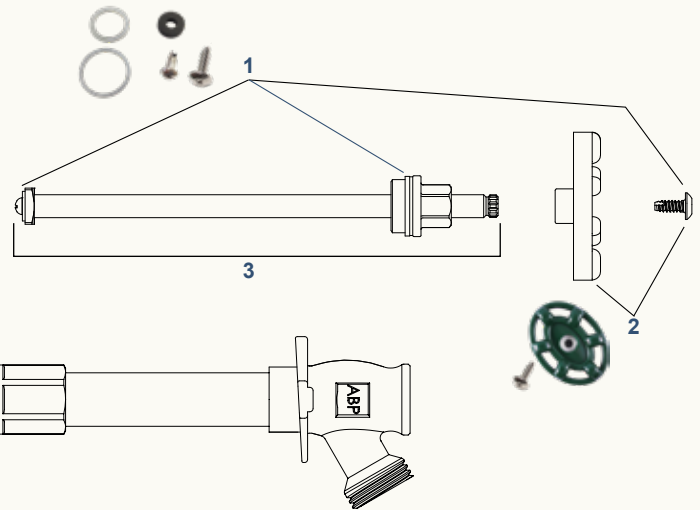


## Base Model & Options

<b>452 Series- 1/2"</b> Uponor PEX A Inlet	<b>455 Series- 1/2" FIP</b> 3/4" MIP Inlets	<b>456 Series- 1/2" MIP</b> & Sweat Inlets	<b>458 Series- 3/4" MIP</b> & Sweat Inlets	<b>459 Series- 1/2" PEX</b> Inlet	<b>Loose Key Option</b>
<b># 452-xxQTLF</b> 1/2" cold expansion PEX- (ASTM F160)	<b># 455-xxQTLF</b> 1/2" Female Pipe Thread ID 3/4" Male Pipe Thread OD	<b># 456-xxQTLF</b> 1/2" Copper Sweat ID 1/2" Male Pipe Thread OD	<b># 458-xxQTLF</b> 3/4" Copper Sweat ID 3/4" Male Pipe Thread OD	<b># 459-xxQTLF</b> 1/2" Crimp PEX (ASTM F1807)	<b># 45-xxLKLf</b> Removable loose key lock- shield

## Repair & Replacement Parts

ID	Part #	Description
1	PK1000	Stem Rebuild Kit: Seat washer, seat washer screw, nylon bonnet washer & handle screw
2	PK1295	Rubber-Coated Oval Handle (Die-cast Aluminum) and Stainless Steel Self-Tapping Handle Screw
3	(See below)	Replacement Stem Assembly



Total Stem Length (Overall)

Part #	Description	Length
PK8002	Stem assembly for 2" 450/480 series hydrant	6" total
PK8004	Stem assembly for 4" 450/480 series hydrant	8" total
PK8006	Stem assembly for 6" 450/480 series hydrant	10" total
PK8008	Stem assembly for 8" 450/480 series hydrant	12" total
PK8010	Stem assembly for 10" 450/480 series hydrant	14" total
PK8012	Stem assembly for 12" 450/480 series hydrant	16" total
PK8014	Stem assembly for 14" 450/480 series hydrant	18" total

\*For Frost-Proof Hydrants installed before 1999, the total stem length will be 1/4" longer than the above stated lengths. For compatible stems, include the suffix "SP" in part number (i.e. PK8006SP = total length 10-1/4")

