

# 460LF Series Arrow-Breaker® Frost-Proof Wall Hydrants



## Arrow-Breaker® Lead-Free Wall Hydrants with built-in anti-siphon technology

### Features & Benefits

- Heavy duty lead-free bronze construction
- Certified to NSF/ANSI 372 ; UPC listed
- The Arrow-Breaker® built-in anti-siphon technology protects your household water supply from harmful contaminants and eliminates the need for an external add-on vacuum breaker.
- QuickTurn® style operation:
  - easy on-off operation without letting go of the handle
- Wall flange with built-in offset to allow water drainage upon shut-off
- Maximum pressure: 125 PSI
- Maximum temperature: 140° F
- 3-year limited warranty
- Available in 2, 4, 6, 8, 10, 12 & 14 inch lengths
- Available in loose-key and QuickTurn® models







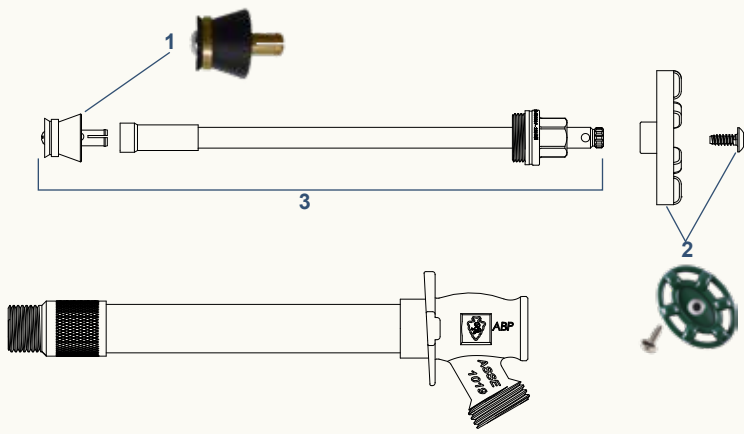
460LF Series Arrow-Breaker®  
Frost-Proof Wall Hydrants

## Base Model & Options

462 Series- 1/2" Uponor PEX A Inlet	465 Series- 1/2" FIP 3/4" MIP Inlets	466 Series- 1/2" MIP & Sweat Inlets	468 Series- 3/4" MIP & Sweat Inlets	469 Series- 1/2" PEX Inlet	Loose Key Option
					
<b># 462-xxQTLF</b> 1/2" Uponor - PEX A Inlet	<b># 465-xxQTLF</b> 1/2" FIP ID   3/4" MPT OD Inlet	<b># 466-xxQTLF</b> 1/2" Copper Sweat ID   1/2" MPT OD Inlet	<b># 468-xxQTLF</b> 3/4" Copper Sweat ID   3/4" MPT OD Inlet	<b># 469-xxQTLF</b> 1/2" Crimp PEX (ASTM F1807) Inlet	<b># 46_-xxLKLF</b> Removable loose key lock-shield

## Repair & Replacement Parts

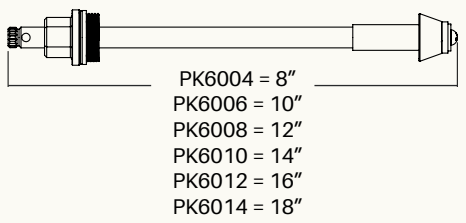
Spring-less Check Assembly 	Replacement Oval Handle & Screw 
<b># PK6026</b> Replacement Arrow-Breaker® check assembly (# 1)	<b># PK1295</b> Replacement rubber-coated green oval handle & stainless steel screw (# 2)



### Complete Stem Assembly



**# PK60xx \***  
04, 06, 08, 10, 12, 14 - inch stem assembly (See below)



**WARNING:** Frost-Proof wall hydrants must be installed with a downward tilt toward the hose thread outlet AND the hose or other devices must be removed in cold and freezing weather. Failure to properly winterize a frost-proof wall hydrant can result in damage caused by freezing water and is not covered under warranty. For more information please visit our website at [www.arrowheadbrass.com](http://www.arrowheadbrass.com)



**WARNING:** This product can expose you to chemicals including lead, which is known to the State of California to cause, cancer and reproductive harm. For more information, go to [www.P65Warnings.ca.gov](http://www.P65Warnings.ca.gov)