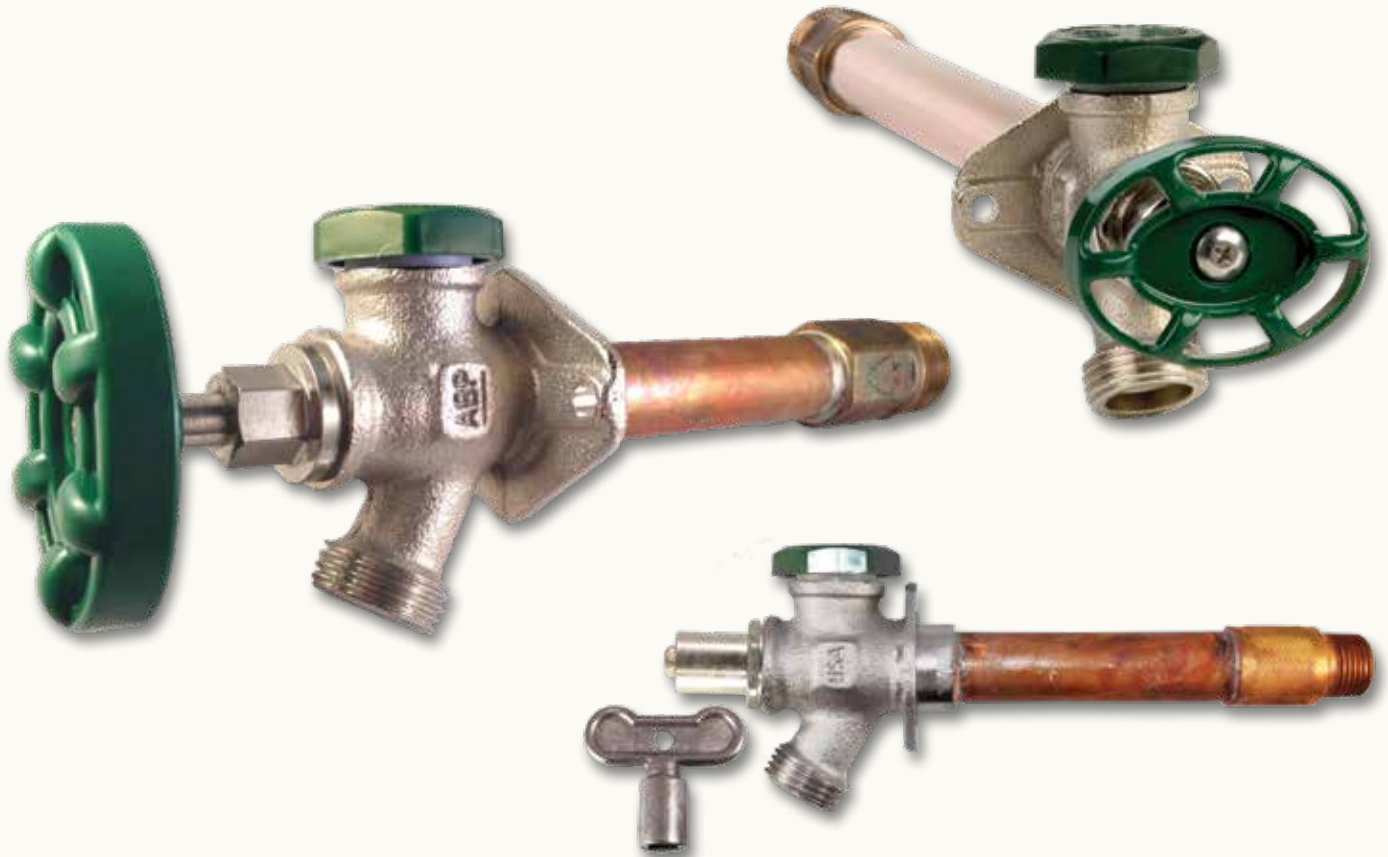


420LF Series Anti-Siphon Frost-Proof Wall Hydrants



Lead Free Wall Hydrants

With Integral Anti-Siphon Vacuum Breaker









Features & Benefits

- Heavy duty lead free bronze construction
- NSF/ANSI 372 certified lead free by IAPMO
- Integral anti-siphon back-flow prevention; ASSE 1019-A approved, IAPMO certified
- QuickTurn® style operation: easy on-off operation without letting go of the handle
- Exclusive O-ring bonnet & stem design with rubber-coated oval handle
- Maximum pressure: 125 PSI
- Maximum temperature: 1800 F
- 3-year limited warranty
- Available in 2, 4, 6, 8, 10, 12 & 14 inch lengths
- Available in loose-key models



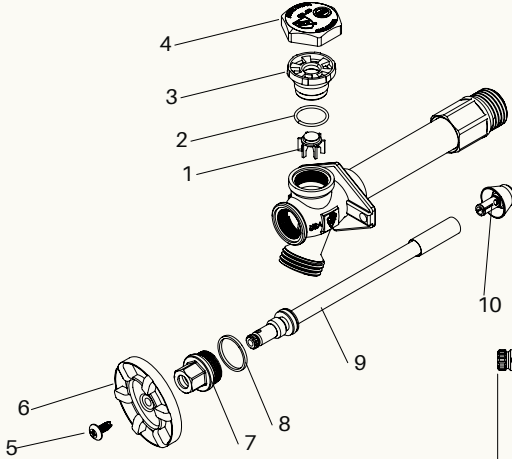
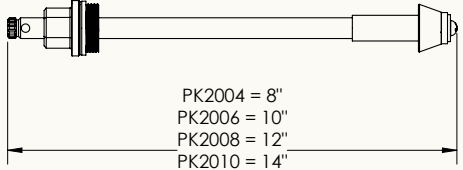






Base Model & Options

<p>421 Series- 3/4" WIRSBO Inlet</p>  <p># 421-xxQTLF 3/4" WIRSBO style tube inlet x 3/4" hose thread outlet</p>	<p>422 Series- 1/2" WIRSBO Inlet</p>  <p># 422-xxQTLF 1/2" WIRSBO style tube inlet x 3/4" hose thread outlet</p>	<p>425 Series- 1/2" FIP 3/4" MIP Inlets</p>  <p># 425-xxQTLF 1/2" FIP & 3/4" MIP inlets x 3/4" hose thread outlet</p>	<p>426 Series- 1/2" MIP & Sweat Inlets</p>  <p># 426-xxQTLF 1/2" MIP & copper sweat inlet x 3/4" hose thread outlet</p>	<p>427 Series- 3/4" PEX Inlet</p>  <p># 427-xxQTLF 3/4" PEX style tube inlet x 3/4" hose thread outlet</p>	<p>428 Series- 3/4" MIP & Sweat Inlets</p>  <p># 428-xxQTLF 3/4" MIP & copper sweat inlet x 3/4" hose thread outlet</p>
<p>429 Series- 1/2" PEX Inlet</p>  <p># 429-xxQTLF 1/2" PEX style tube inlet x 3/4" hose thread outlet</p>	<p>Loose Key Option</p>  <p># 42_-xxLKLKLF Removable loose key lock-shield</p>				

Repair & Replacement Parts

<p>Air-Vent Assembly Parts</p>  <p># PK1430 Includes green cap (# 4), housing (# 3), plunger (# 1), & O-ring (# 2)</p>	<p>Replacement Oval Handle & Screw</p>  <p># PK1295 Replacement rubber-coated green oval handle (# 6) & stainless steel screw (# 5)</p>		 <p>PK2004 = 8" PK2006 = 10" PK2008 = 12" PK2010 = 14" PK2012 = 16" PK2014 = 18"</p> <p>*For 420 series hydrants installed prior to 1999, use PK20__SP stem assembly to replace old style stems that have a spring check assembly. Contact Arrowhead Brass for more details</p>
<p>Complete Stem Assembly</p>  <p># PK20xx * 04, 06, 08, 10, 12, 14 - inch stem assembly (# 7-10)</p>	<p>Spring-less Check Assembly</p>  <p># PK2016 Replacement spring-less check assembly (# 10)</p>		

